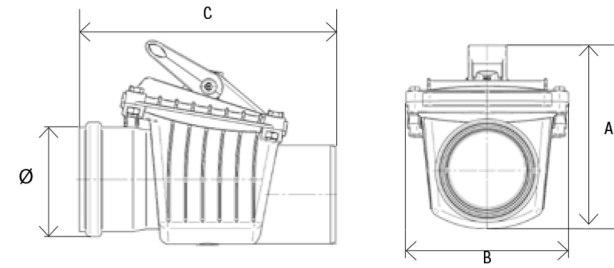


# NON-RETURN VALVES

## NON RETURN VALVE WITH one flap

Ø 110

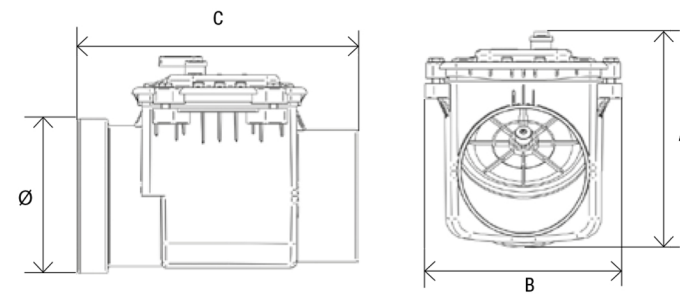


Ø	Product code	Dimensions [mm]			Weight [kg]	Packing [pcs.]	Bulk packaging [pcs.]	Pallet: 1,2x0,8x1,81 m [pcs.]
		A	B	C				
110	9-5000-110-01-03-11	227	201	286	1,40	1	1	104

125	9-5000-125-00-03-11	270	209	440	2,23	1	1	80
-----	---------------------	-----	-----	-----	------	---	---	----

## NON RETURN VALVE WITH one flap

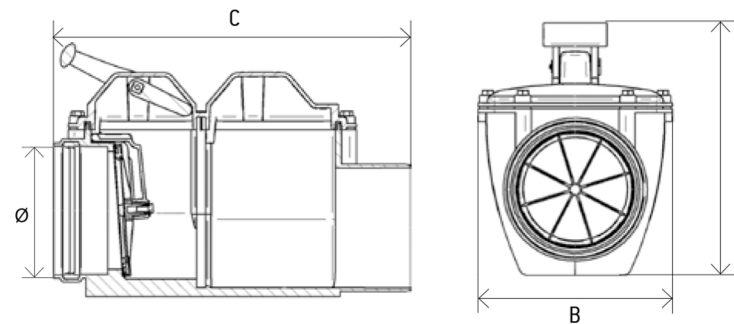
Ø 160



Ø	Product code	Dimensions [mm]			Weight [kg]	Packing [pcs.]	Bulk packaging [pcs.]	Pallet: 1,2x0,8x1,99 m [pcs.]
		A	B	C				
160	9-5000-160-00-03-11	260	237	338	2,30	1	1	63

## NON RETURN VALVE WITH one flap

Ø 200



Ø	Product code	Dimensions [mm]			Weight [kg]	Packing [pcs.]	Bulk packaging [pcs.]	Pallet: 1,2x0,8x1,92 m [pcs.]
		A	B	C				
200	9-5000-200-00-03-11	398	304	560	7,40	1	1	24

### How does it work?



Free flow



Blocked flap – backwater protection



Protection against rodents